

HCB All fluids





- Bulk chemistry and petrochemistry
- Specialty chemistry
- Biotechnology

- Unloading of wagons, cisterns, tanks.
- transfer and distribution system of fluids and gas odourisation additive.
- Thermoregulation in double envelope reactors.
- Filling / draining drums.
- Main supply for cooling test benches.



Bet on technology...

Performance, reliability

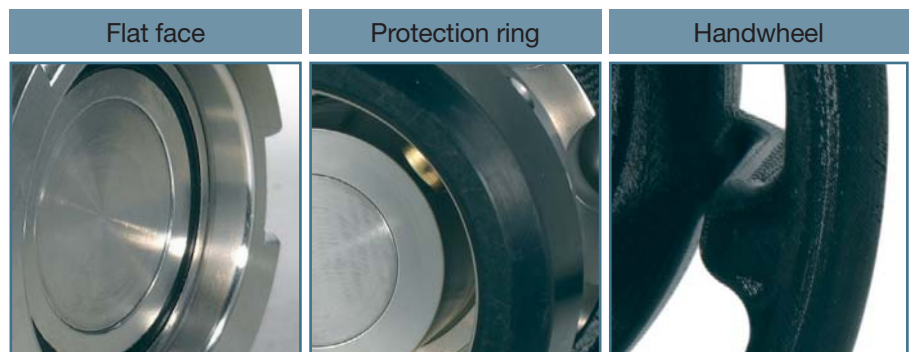
Designed to meet your demands, our HCB couplings ensure the best flow / size ratio and the answer to adapted quality procedures:

- material traceability
- unit function monitoring
- design and endurance
- FDA-compliant with specific seals (please consult us).

Non-spill technology

The HCB range is perfectly non-spill thanks to its flat face design:

- no air enters circuits during connection
- no pollution of environment during disconnection.

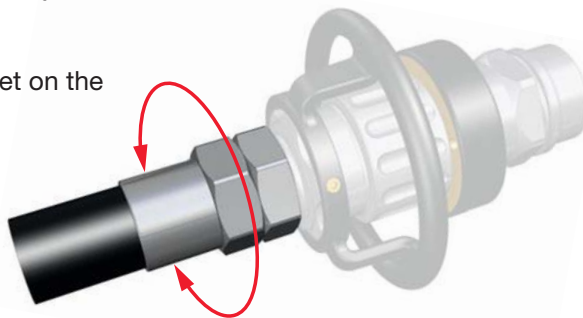




... Win practicality!

Rapid, easy to handle and safe

- automatic locking at end of process
- version with handwheel, easy to handle and lock
- rotation ability to reduce manipulation of the socket on the hose.



Complete lines supplied

Sockets equipped with flexible function ensuring sealing control on entire line.

Easy to maintain

Can be maintained without unscrewing the valve closure off the pipe. Disassembly from the front with an Allen® key (HCB 37 and HCB 50).





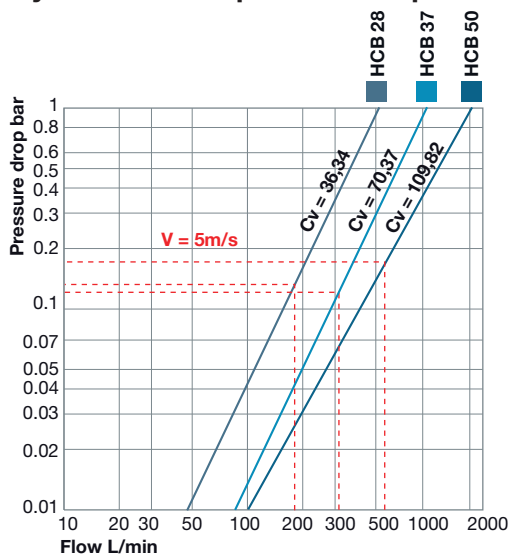
EP n° 1164327

Technical characteristics

	HCB 28	HCB 37	HCB 50	
Type of hose	DN 40	DN 50	DN 80	
Diameter of flow (mm)	28	37	50	
Shutoff	double			
Operating temperature (°C.)	with Nitrile seal	-15° to +100°		
	with fluorocarbon seal (JV)	0° to +200°		
	with ethylene-propylene seal (JE)	-20° to +150°		
	with perfluoroelastomer seal (JK)	0° to +250°		
protection stopper	-20° to +100°			
Maximum working pressure (bar)	50	16	16	
Fluid loss during disconnection under 3 bars (cm ³)	0.26	1.6	2.8	
Weights* (kg)	plug alone	2.850	4.880	8.520
	plug with handwheel	3.270	5.735	9.219
	socket	2.230	3.400	5.630
Handling torque at P = 0 bar (N.m)	13	14	20	

*values for: HCB 28 G 1" 1/4, HCB 37 G 2" et HCB 50 G 3"

Hydraulic flow / pressure drop

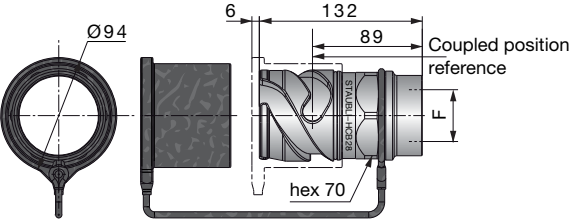
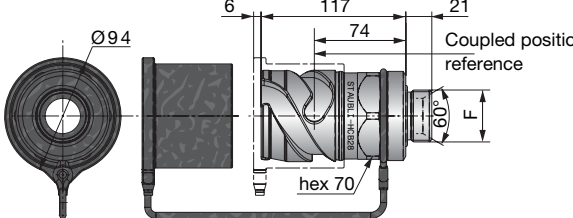
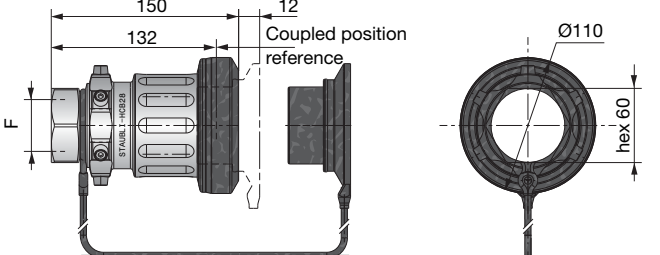
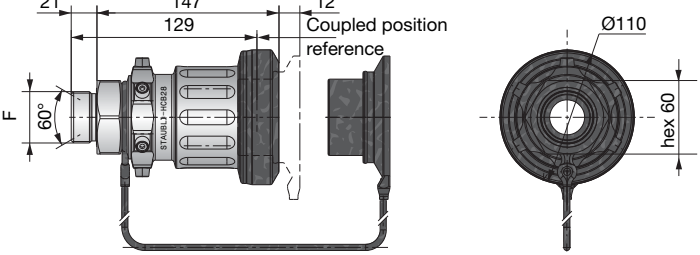
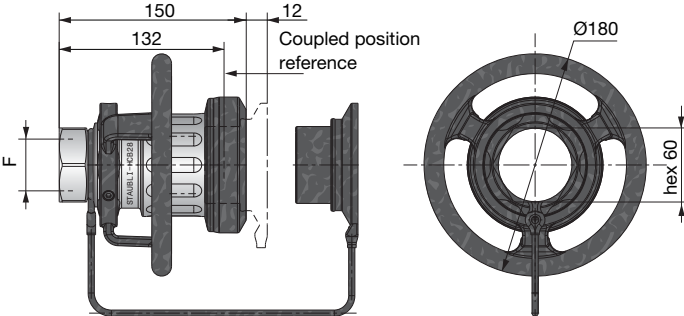
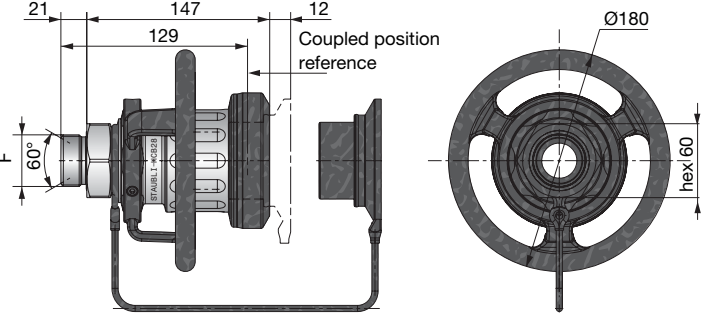


Construction

- body of socket and plug: 316 L stainless steel
- protective sleeve: HCB 28: fluorocarbon
HCB 37 and 50: polyacetal
- handwheel: aluminum alloy
- sealing joints:
 - nitrile
 - fluorocarbon (JV)
 - ethylene-propylene (JE)
 - perfluoroelastomer (JK)

for applications using fuel,
we have an aluminum version.
Information available on request.

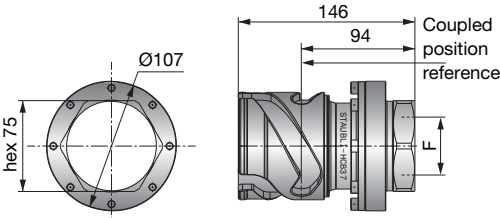
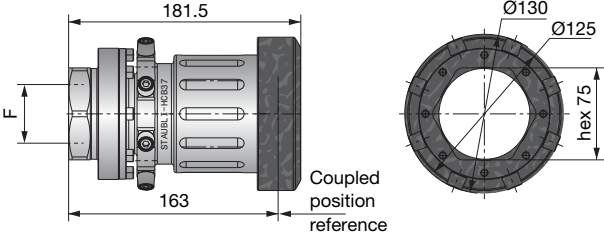
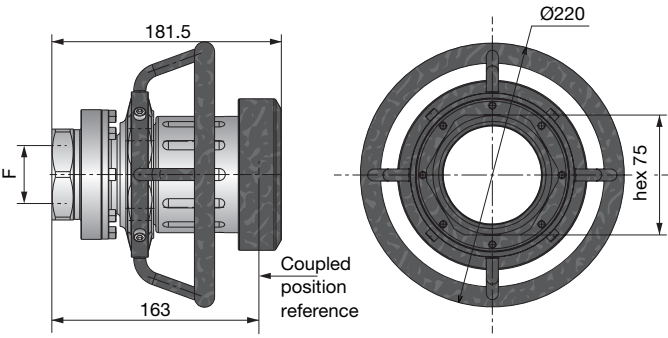
HCB 28 for DN 40 (1 1/2) hoses

	F	Part numbers
<p>Socket, female threaded</p> 	G 1 1/4	HCB 28.1106/IC
<p>Socket, male threaded</p> 	G 1 1/4	HCB 28.1156/IC
<p>Plug, female threaded</p> 	G 1 1/4	HCB 28.7106/IC
<p>Plug, female threaded</p> 	G 1 1/4	HCB 28.7156/IC
<p>Plug, female threaded with handwheel</p> 	G 1 1/4	HCB 28.7106/IC/VT
<p>Plug, female threaded with handwheel</p> 	G 1 1/4	HCB 28.7156/IC/VT

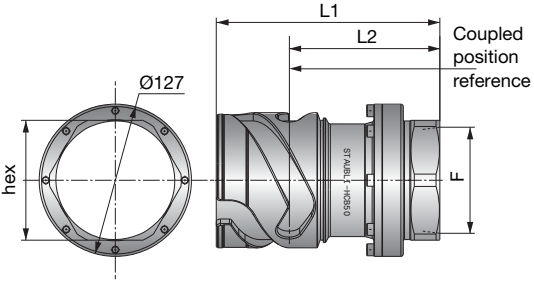
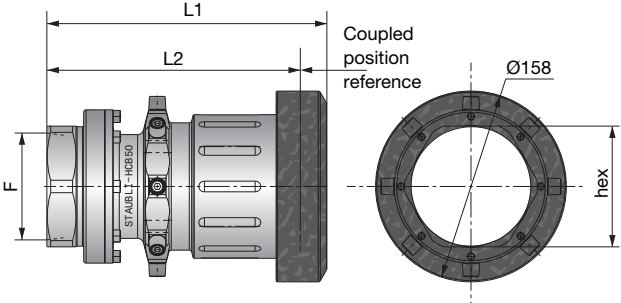
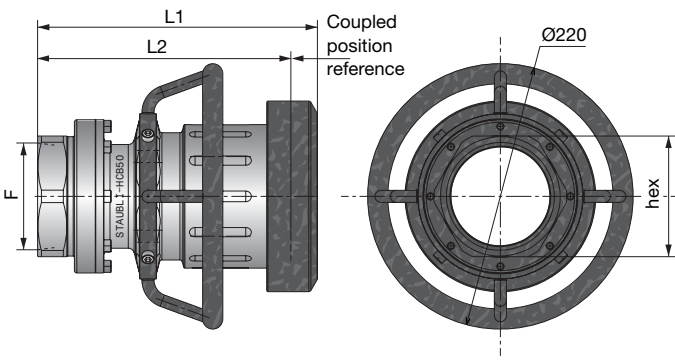
Our plugs and sockets are delivered with protective dust caps.



HCB 37 for DN 50 (2") hoses

	F	Part numbers
Socket, female threaded 	G 1 1/2	HCB 37.1107/IC
	G 2	HCB 37.1108/IC
Plug, female threaded 	G 1 1/2	HCB 37.7107/IC
	G 2	HCB 37.7108/IC
Plug, female threaded with handwheel 	G 1 1/2	HCB 37.7107/IC/VT
	G 2	HCB 37.7108/IC/VT

HCB 50 for DN 80 (3") hoses

	Hex.	L1	L2	F	Part numbers
Socket, female threaded 	70	192	131.5	G 2	HCB 50.1108/IC
	100	186.5	126	G 3	HCB 50.1109/IC
	100	186.5	126	NPT 3	HCB 50.1209/IC
Plug, female threaded 	70	237.5	215.5	G 2	HCB 50.7108/IC
	100	232	210	G 3	HCB 50.7109/IC
	100	232	210	NPT 3	HCB 50.7209/IC
Plug, female threaded with handwheel 	70	237.5	215.5	G 2	HCB 50.7108/IC/VT
	100	232	210	G 3	HCB 50.7109/IC/VT
	100	232	210	NPT 3	HCB 50.7209/IC/VT

Our plugs and sockets are delivered with protective dust caps.

Calculating your product reference according to the joint required:

- standard: Nitrile seal. Use the reference indicated in the table.
- other types of seals, add at the end of the part number:
 - /JV for fluorocarbon
 - /JE for ethylene-propylene
 - /JK for perfluoroelastomer.

We reserve the right to make changes to our products without advanced warning.

Brazil

Tel.: +55 (0) 11 2348 7400
connectors.br@staubli.com

North America

(USA, Canada, Mexico)
Tel.: +1 864/433-1980
connectors.usa@staubli.com

Belgium

Tel.: +32 (0) 56 36 40 03
connectors.be@staubli.com

**Czech Republic,
Slovakia, Hungary**

Tel.: +420 466 616 125
connectors.cz@staubli.com

France

Tel.: +33 (0)1 69 93 25 00
srf@staubli.com

Germany, Austria

Tel.: +49 (0) 921/883-80
connectors.de@staubli.com

India

Tel.: +91 22 282 39 343 - 345
connectors.in@staubli.com

Italy

Tel.: +39 (0) 362/944.1
connectors.it@staubli.com

Poland

Tel.: +48 42 636 85 04
connectors.pl@staubli.com

Portugal

Tel.: +351 22 978 39 56/50
connectors.pt@staubli.com

Romania

Tel.: +40374040494
connectors.ro@staubli.com

Russia

Tel.: + 7 812 3344630
connectors.ru@staubli.com

Spain

Tel.: +34 937 205 405
connectors.es@staubli.com

Switzerland

Tel.: +41 (0) 43/244 22 33
connectors.ch@staubli.com

United Kingdom

Tel.: +44 (0) 1952 671 918
connectors.uk@staubli.com

China

Tel.: +86 571 86912161
connectors.cn@staubli.com

Hong Kong

Tel.: +852-2366 0660
connectors.hk@staubli.com

Japan

Tel.: +81 6 6889 3308
connectors.stkk@staubli.com

Singapore

Tel.: +65 / 6266 0900
connectors.sg@staubli.com

South Korea

Tel.: +82 53 753 0044
connectors.kr@staubli.com

Taiwan

Tel.: +886-2-2568 2744
connectors.tw@staubli.com

Turkey

Tel.: +90 212/472 13 00
connectors.tr@staubli.com

www.staubli.com



■ Staubli units
○ Connectors distributors

International sales coordination

Stäubli Faverges - BP 70 - F - 74210 Faverges
Tel.: +33 (0) 4 50 65 67 97 - Fax: +33 (0) 4 50 65 60 69
e mail: connectors.sales@staubli.com

Staubli is a trademark of Stäubli International AG, registered in Switzerland and other countries.

© Stäubli, 10/09/2012