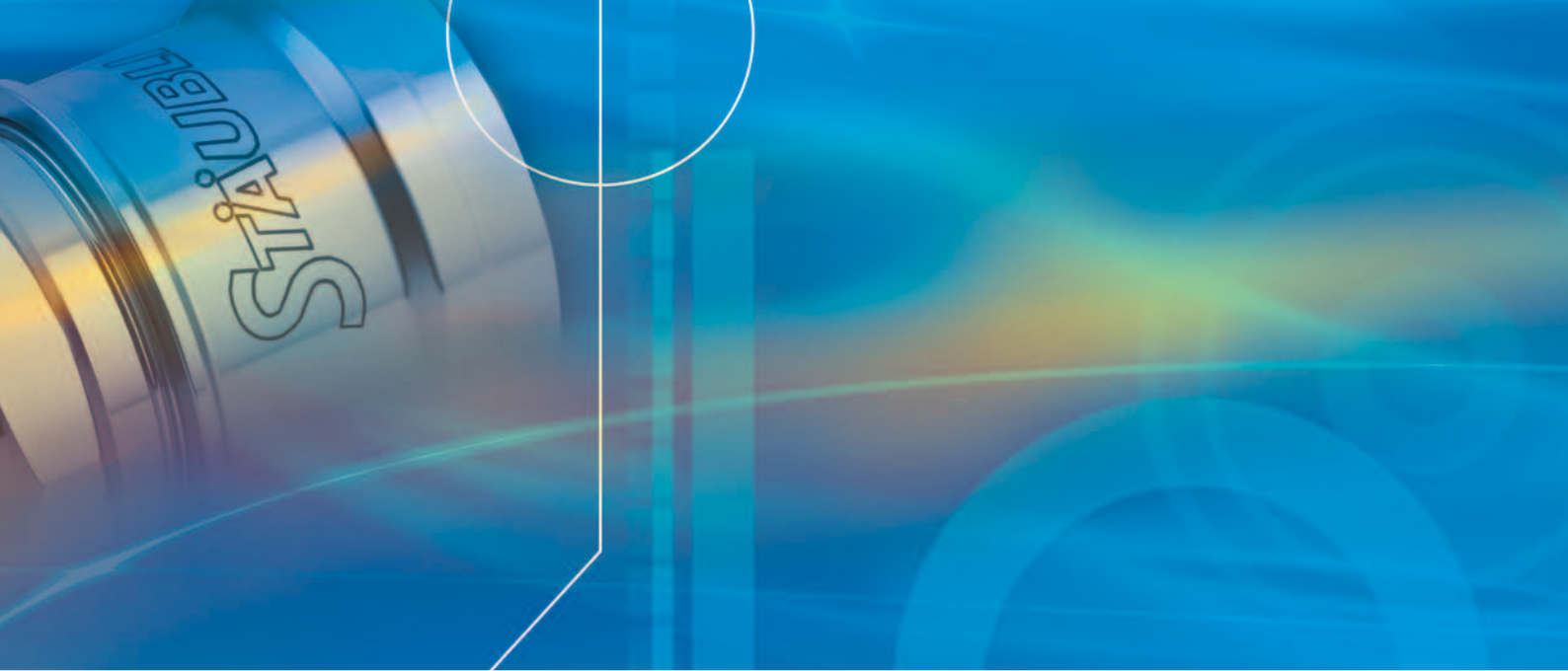


**UPB**  
All fluids

**Full flow**





## High-quality, efficient...

### Applications

Quick connections for the following circuits:

- draining,
- filling,
- fluid transfer,
- etc.

### Fluids

Wide range of fluids, such as:

- liquids,
- gases,
- nitrogen,
- food products,
- chemical products,
- etc.



### Safe and strong connections

Locking system using multiple ball bearings ensures strength and durability.

### All-stainless steel construction

The choice of materials gives UPB connectors excellent corrosion resistance.



### Even safer locking

Thanks to the anti-recoil device on the locking ring (VS option).

### Easy cleaning

The high-quality surface finish (Ra 0.8) in the fluid stream allows for easy and efficient cleaning.



## ... and durable connections



### Easy handling

Automatic coupling by simply pushing the plug into the socket for quick and easy connection.

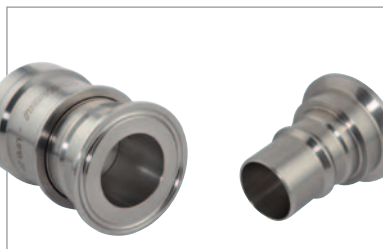
Excellent grip on the locking ring makes handling easier when wearing gloves.

### Simplicity of connections

- Sockets and plugs with cylindrical BSP male threads that can be equipped with a KES sealing kit.



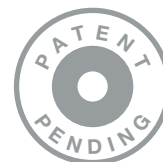
- UPB 25 available as standard with clamp profile according to ISO 2852.



### Compliance with FDA and USP Class VI requirements

Connectors designed to satisfy the requirements of agri-foods and pharmaceutical industries:

- stainless steel materials,
- specific lubrication,
- FDA seals,
- USP Class VI seals.



The opportunity to spend less and contribute to a sustainable development programme  
With Stäubli, you can rely on the performance of your equipment and reliability of long-term investments.



## Technical characteristics

	UPB 25	UPB 33	UPB 50
<b>Bore diameter (mm)</b>	25	33	50
<b>Max. working pressure (bar)</b>	20	20	20
<b>Shut-off</b>	Full flow	↔↔	↔↔

### Tightness

Seals:

- Nitrile (NBR) as standard
- Ethylene-Propylene \* (EPDM)
- Ethylene-Propylene \* (EPDM) for FDA or USP \*\* option
- Fluorocarbon (FPM)
- Perfluoroelastomer (FFKM)
- Perfluoroelastomer (FFKM) in the fluid jet and other seal in Fluorocarbon (FPM)

\* **Important !** It is strongly recommended not to use or bring this seal into contact with fluids of mineral origin (oil, fat etc...).

\*\* meets the requirements of Class VI – 70 °C in vivo tests § <88> by USP34, National Formulary 29, 2011.

### Working temperatures

Types of seal	Seal code	Working temperatures (°C)
Nitrile (NBR)	no code	- 10 to + 90
Fluorocarbone (FPM)	JV	+ 10 to + 200
Ethylene-Propylene (EPDM)	JE or JE/FDA	- 20 to + 150
	JE/USP	- 20 to + 70 **
Perfluoroelastomer (FFKM)	JK	+ 10 to + 250
Perfluoroelastomer (FFKM) in the fluid jet and other seal in Fluorocarbon (FPM)	JKV	+ 10 to + 250

### Construction

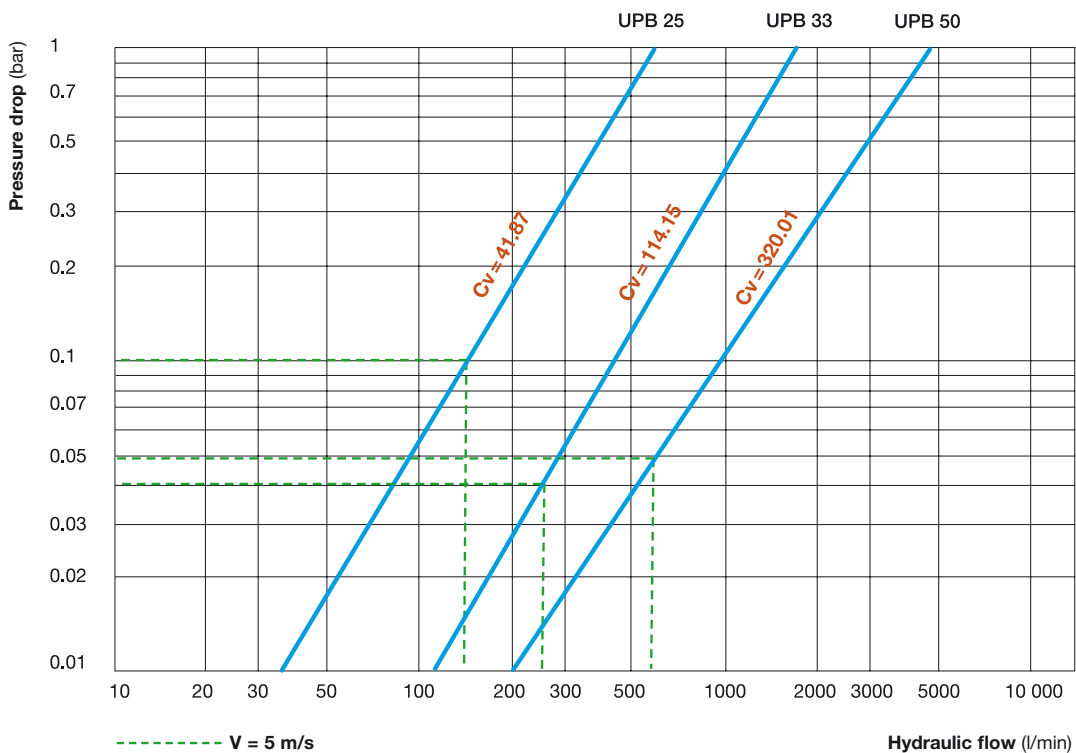
Mainly stainless steel 316 series.

For more information, consult us.

Locking balls : stainless steel 304 series.



## Hydraulic flow rate / pressure drop charts

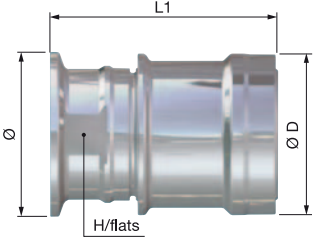
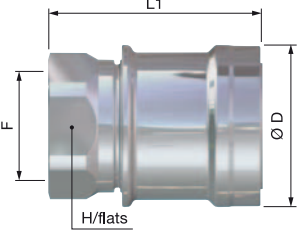
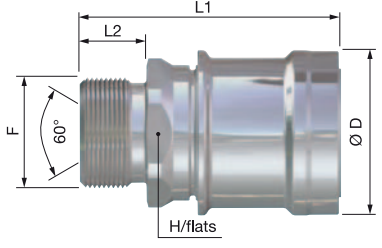


Flow (l/min) for a speed of 5 m/s		
UPB 25	UPB 33	UPB 50
147	256.5	589

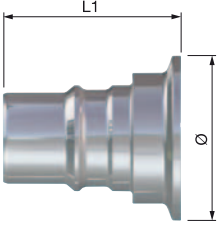
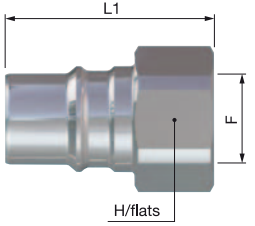
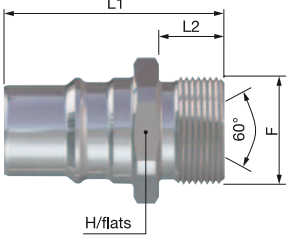
**Test conditions:**  
 - Fluid: water  
 - Direction of flow: socket → plug

# Part-numbers

## • Sockets

Designations	Models	Fittings F or Ø	Dimensions (mm)				Part-numbers
			ØD	L1	L2	H/flats	
<b>1. Socket clamp profile</b>    Clamp profile according to ISO 2852 standard	UPB 25	Ø 50	49.5	69.8		38	UPB 25.1050/IC
<b>2. Socket female thread</b>  	UPB 25	G 1	49.5	65.6		41	UPB 25.1105/IC
	UPB 33	G 1 1/4	62.5	72.3		55	UPB 33.1106/IC
	UPB 50	G 2	84.5	84		75	UPB 50.1108/IC
<b>3. Socket male thread</b>  	UPB 25	G 1	49.5	78.3	20	41	UPB 25.1155/IC
	UPB 33	G 1 1/4	62.5	89	21	55	UPB 33.1156/IC
	UPB 50	G 2	84.5	106	26	75	UPB 50.1158/IC

## • Plugs

Designations	Models	Fittings F or Ø	Dimensions (mm)			Part-numbers
			L1	L2	H/flats	
<b>1. Plug clamp profile</b>    Clamp profile according to ISO 2852 standard	UPB 25	Ø 50	54.5			UPB 25.6050/IC
<b>2. Plug female thread</b>  	UPB 25	G 1	64		41	UPB 25.6105/IC
	UPB 33	G 1 1/4	70.5		50	UPB 33.6106/IC
	UPB 50	G 2	83		70	UPB 50.6108/IC
<b>3. Plug male thread</b>  	UPB 25	G 1	67.5	20	41	UPB 25.6155/IC
	UPB 33	G 1 1/4	75.5	21	50	UPB 33.6156/IC
	UPB 50	G 2	90.5	26	70	UPB 50.6158/IC

Other fittings: consult us

# How to build your part-numbers

## - Seals materials

All sockets are fitted with a Nitrile seal as standard.

Other seal material: add the required code at the end of the part-numbers:

- **/JE** code: Ethylene-Propylene seal
- **/JV** code: Fluorocarbon seal
- **/JK** code: Perfluoroelastomer seal
- **/JKV** code: Perfluoroelastomer seal in the fluid - other seal in Fluorocarbon

## - FDA or USP option

Sockets and plugs FDA or USP Class VI (only available with Ethylene-Propylene seal).

- Add at the end of the part-numbers:
- for the sockets : the **/JE/FDA** or **/JE/USP** code
  - for the plugs : the **/FDA** or **/USP** code.

## - Safety locking option

Add the **/VS** code to the socket part-numbers.

## KES sealing-kit (to be ordered separately)

Composed of a retaining ring and an O-ring seal, the KES kits ensure a perfect sealing between the socket and your support.


The KES rings are fitted with a Nitrile seal as standard.

Other seal material: add to the opposite part-numbers the code corresponding to the required seal material:

- Ethylene-Propylene: **/JE** code
- Fluorocarbon: **/JV** code
- Perfluoroelastomer: **/JK** code

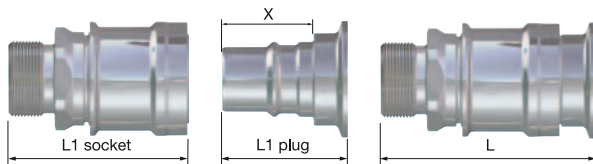
KES kit for FDA or USP option: add the **/JE/FDA** or **/JE/USP** to the opposite part-numbers.

This type of sealing is available on all the cylindrical BSP male sockets and plugs.

KES sealing-kit	Models	Part-numbers
	G 1	<b>KES 01.9105/IC</b>
	G 1 1/4	<b>KES 01.9106/IC</b>
	G 2	<b>KES 01.9108/IC</b>

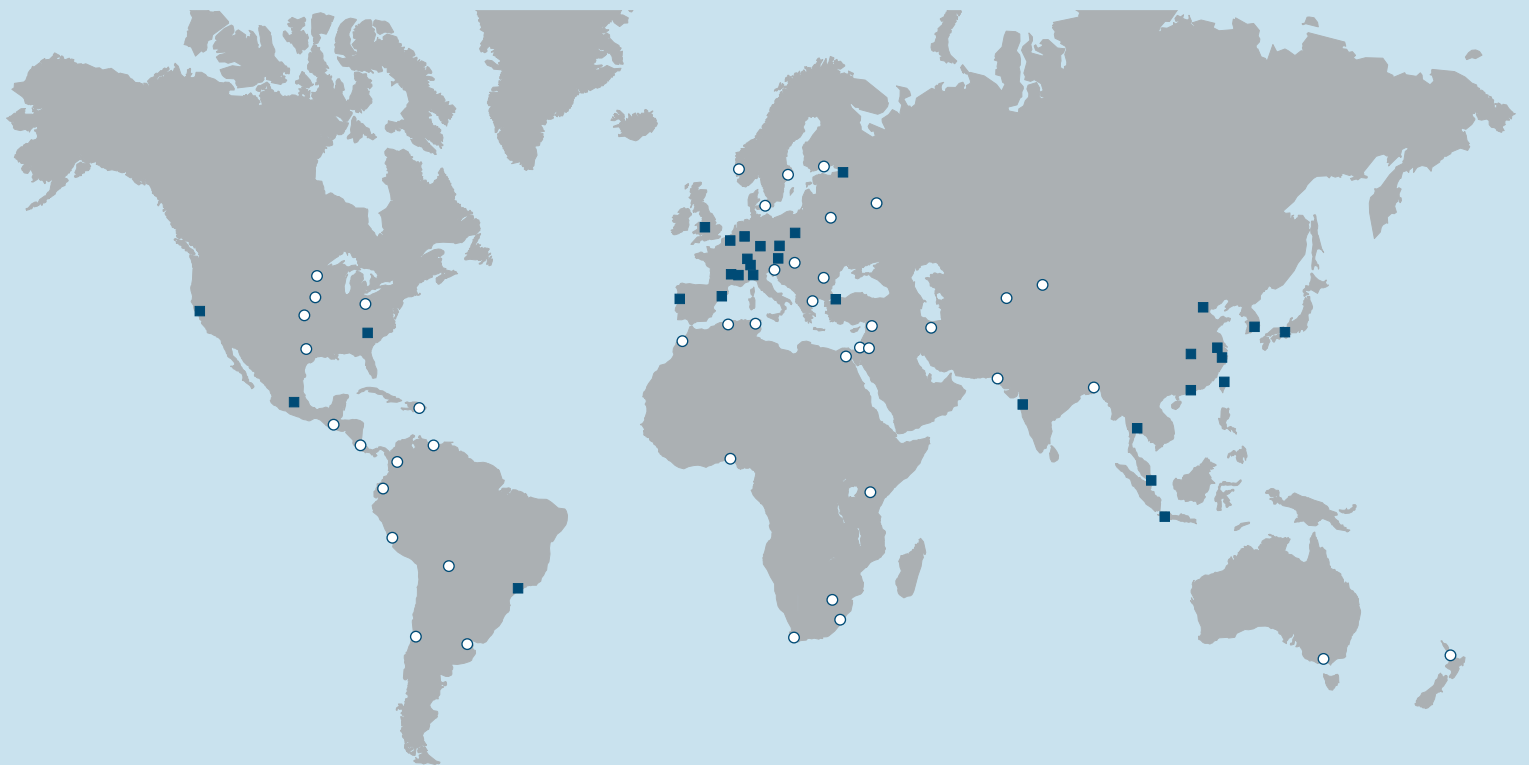
## Overall dimensions in connected position

$$L = (L1 \text{ socket} + L1 \text{ plug}) - X$$



Models	X (mm)
UPB 25	39.5
UPB 33	44.5
UPB 50	50.5

For contact details: [www.staubli.com/connectors/contacts](http://www.staubli.com/connectors/contacts)



**Global presence of the Stäubli Group**

- Stäubli units
- Agents

**International sales coordination**

Stäubli Faverges - CS 30070 - F - 74210 Faverges - Tel.: +33 4 50 65 67 97 - Fax: +33 4 50 65 60 69 - E-mail: [connectors.sales@staubli.com](mailto:connectors.sales@staubli.com)  
[www.staubli.com](http://www.staubli.com)

Stäubli is a trademark of Stäubli International AG, registered in Switzerland and other countries. © Stäubli 30/10/2017. Printed on FSC paper.  
We reserve the right to modify product specifications without prior notice. Photocredits: Stäubli, Fotolia.com - Fir.

FC1660300E

**STÄUBLI**